

# Avantis 20 FO

## Avantis 20 FO

<b>Min conductor</b>	0.2 mm	0.010"
<b>Max conductor</b>	12 mm	0.500"
<b>Max tube die diameter</b>	20 mm	0.800"

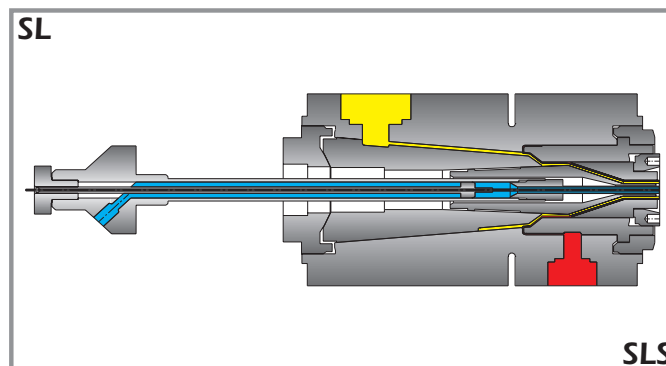
## Use

<b>Domain of use</b>	Loose tube
	Unitubes
	Arial fiber optic drop cables
	Zip cords with aramids
<b>Compound</b>	PVC / PE / PBT / PA / LSZH...

## Characteristics Avantis 20 FO

<b>MF</b>	Fixed centering
<b>FO</b>	Fiber Optic
<b>SL</b>	Single Layer
<b>SLS</b>	Single Layer + Skin or Stripe(s)
<b>Distribution mono-flow</b>	Conical distribution cartridge Easy to clean - no holes or slots - no dead spots Constant and smooth compound flow No stress and no shear in the melted compound
<b>Jelly injection system</b>	Changeable entry and exit micro-tubes Special support with x and y axis adjustment of exit micro-tube, to guarantee accurate and constant fiber centering
<b>Gum Space</b>	Axial die adjustment

## Design



## Options

<b>Connections</b>	Connecting flanges for any type of extruder
<b>By-Pass</b>	Manual - Pneumatic - Hydraulic
<b>Distributors</b>	Special distribution cartridges for <b>LSZH, PA...</b>
<b>Tooling</b>	Hardened steel - Tungsten carbide Loose tube Zipcords Unitube Tight High concentricity level Design recommendation on request
<b>Accessories</b>	Assembly and disassembly cleaning kit
<b>Spare Parts</b>	Permanent stock - 24 hours delivery
<b>Services</b>	Microdia answers your request by fax within 24 hours Technical assistance - Engineering - Commissioning

