

Avantis 10 mflex SL

Avantis 10 Mflex SL

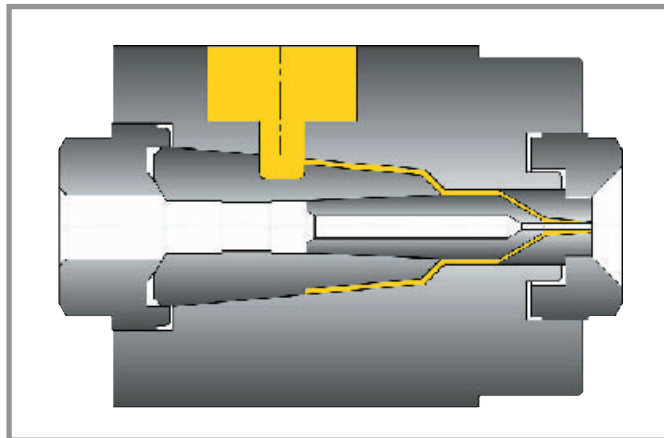
Min conductor	0.1 mm	0.004"
Max conductor	5 mm	0.200"
Max over insulation	7 mm	0.275"
Max tube die diameter	10 mm	0.400"

Use

Insulation	Small solid and stranded wires
Domain of use	LAN cat 5-6-7 Special wires Optical fibers, loose or tight Mono fiber - Multi fibers
Compound	PVC / PE / PBT / PA / LSZH ...

Characteristics
Avantis 10 Mflex SL

Mflex	Microflex system for 100% concentricity
SL	Single Layer
Distribution	Conical distribution cartridge
mono-flow	Easy to clean - no holes or slots - no dead spots Constant and smooth compound flow
Gum Space	Axial die adjustment

Design

Options

Connections	Connecting flanges for any type of extruders
By-pass	Manual - Pneumatic
Distributor	Special distribution cartridges for LSZH, PA...
Tooling	Diamond - Tungsten carbide Compression - Semi-compression - Tube High concentricity level Design recommendation on request
Jelly injection system	Changeable entry and exit micro-tubes Special support with x and y axis adjustment of exit micro-tube, to guarantee accurate and constant fiber centering
Accessories	Assembly and disassembly cleaning kit
Spare parts	Permanent stock, 24 hours delivery
Services	Microdia answers your request by fax within 24 hours Technical assistance - Engineering - Commissioning

