

Avantis 10 FO

Avantis 10 FO

Min conductor	0.1 mm	0.004"
Max conductor	5 mm	0.200"
Max tube die diameter	10 mm	0.400"

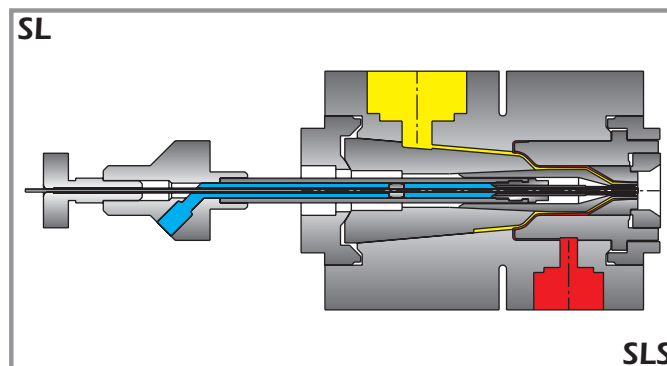
Use

Domain of use	Optical fiber
	Loose tube
	Tight buffer
	Zip cords with aramids
Compound	PVC / PE / PBT / PA / LSZH...

Characteristics Avantis 10 FO

MF	Fixed centering
FO	Fiber Optic
SL	Single Layer
SLS	Single Layer + Skin or Stripe(s)
Distribution mono-flow	Conical distribution cartridge Easy to clean - no holes or slots - no dead spots Constant and smooth compound flow No stress and no shear in the melted compound
Jelly injection system	Changeable entry and exit micro-tubes Special support with x and y axis adjustment of exit micro-tube, to guarantee accurate and constant fiber centering
Gum Space	Axial die adjustment

Design



Options

Connections	Connecting flanges for any type of extruder
By-Pass	Manual - Pneumatic
Distributors	Special distribution cartridges for LSZH, PA...
Tooling	Hardened steel - Tungsten carbide Loose tube Zipcords Tight High concentricity level Design recommendation on request
Accessories	Assembly and disassembly cleaning kit
Spare Parts	Permanent stock - 24 hours delivery
Services	Microdia answers your request by fax within 24 hours Technical assistance - Engineering - Commissioning

